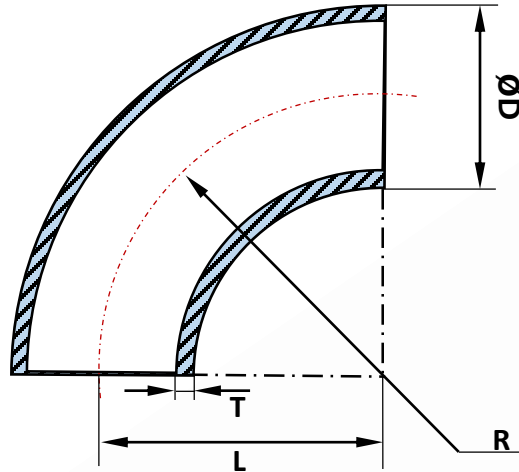
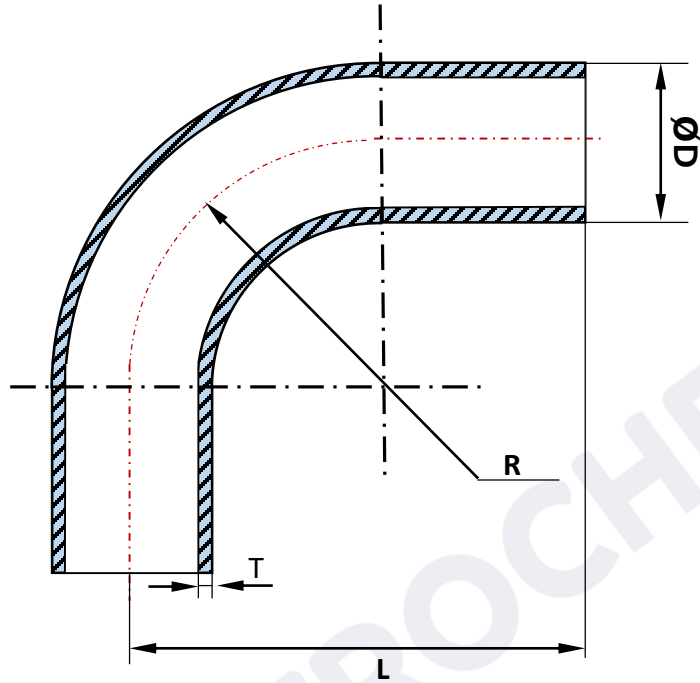


Dairy Short 3A Series 90° Elbow



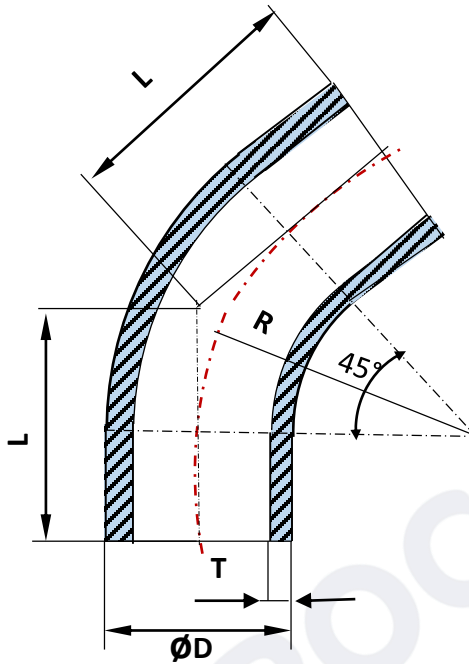
Size	ØD	L	R	T
½"	12.7	19.05	19.05	1.65
¾"	19.1	28.58	28.58	1.65
1"	25.4	38.1	38.1	1.65
1¼"	31.8	47.7	47.7	1.65
1½"	38.1	57.2	57.2	1.65
2"	50.8	76.2	76.2	1.65
2½"	63.5	95.25	95.25	1.65
3"	76.2	114.3	114.3	1.65
4"	101.6	152.4	152.4	2.1
6"	152.4	228.6	228.6	2.77

Dairy BS Long 3A Series 90° Elbow



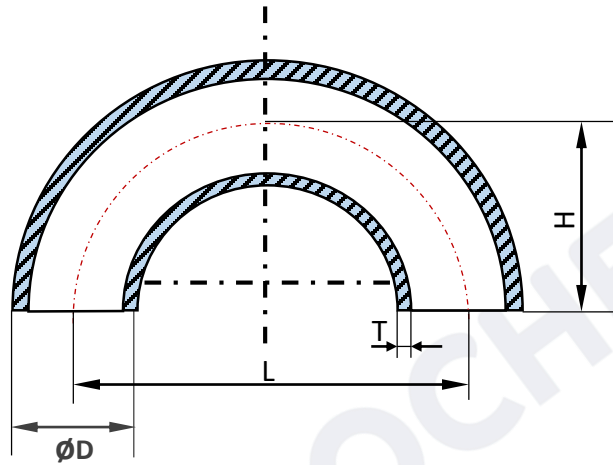
Size	ØD	L	R	T
½"	12.7	45	19.05	1.65
¾"	19.1	60	28.58	1.65
1"	25.4	52.4	38.1	1.65
1¼"	31.8	64	47.7	1.65
1½"	38.1	74.6	57.2	1.65
2"	50.8	103.2	76.2	1.65
2½"	63.5	131.8	95.25	1.65
3"	76.2	160.3	114.3	1.65
4"	101.6	211.1	152.4	2.1
6"	152.4	292.1	228.6	2.77

Dairy BS Long 3A Series 45° Elbow



Size	ØD	L	R	T
½"	12.7	30.2	19.05	1.65
¾"	19.1	30.2	28.58	1.65
1"	25.4	30.2	38.1	1.65
1¼"	31.8	35.8	47.7	1.65
1½"	38.1	41.3	57.2	1.65
2"	50.8	58.7	76.2	1.65
2½"	63.5	76.2	95.25	1.65
3"	76.2	93.7	114.3	1.65
4"	101.6	122.2	152.4	2.1
6"	152.4	158.19	228.6	2.77

Dairy Short 3A Series 180° Elbow



Size	ØD	L	H	T
½"	12.7	38.1	19.05	1.65
¾"	19.1	57.16	28.58	1.65
1"	25.4	76.2	38.1	1.65
1½"	38.1	114.4	57.2	1.65
2"	50.8	152.4	76.2	1.65
2½"	63.5	190.5	95.25	1.65
3"	76.2	228.6	114.3	1.65
4"	101.6	304.8	152.4	2.1
6"	152.4	457.2	228.6	2.77